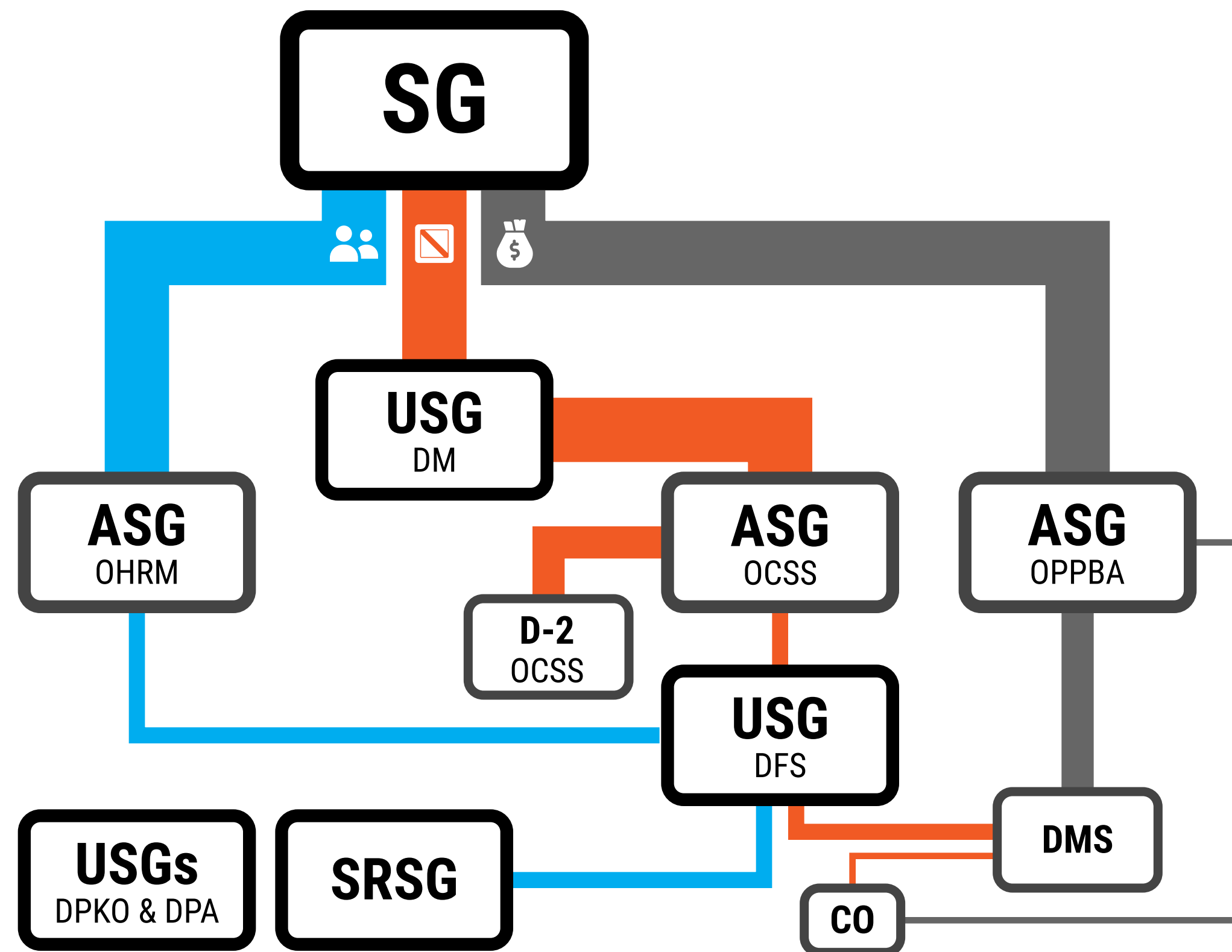




## Revised delegations of authority framework

A new framework has taken effect from 1 January 2019 to empower managers and enhance accountability.

### Former delegation of authority framework



### Revised delegation of authority framework

